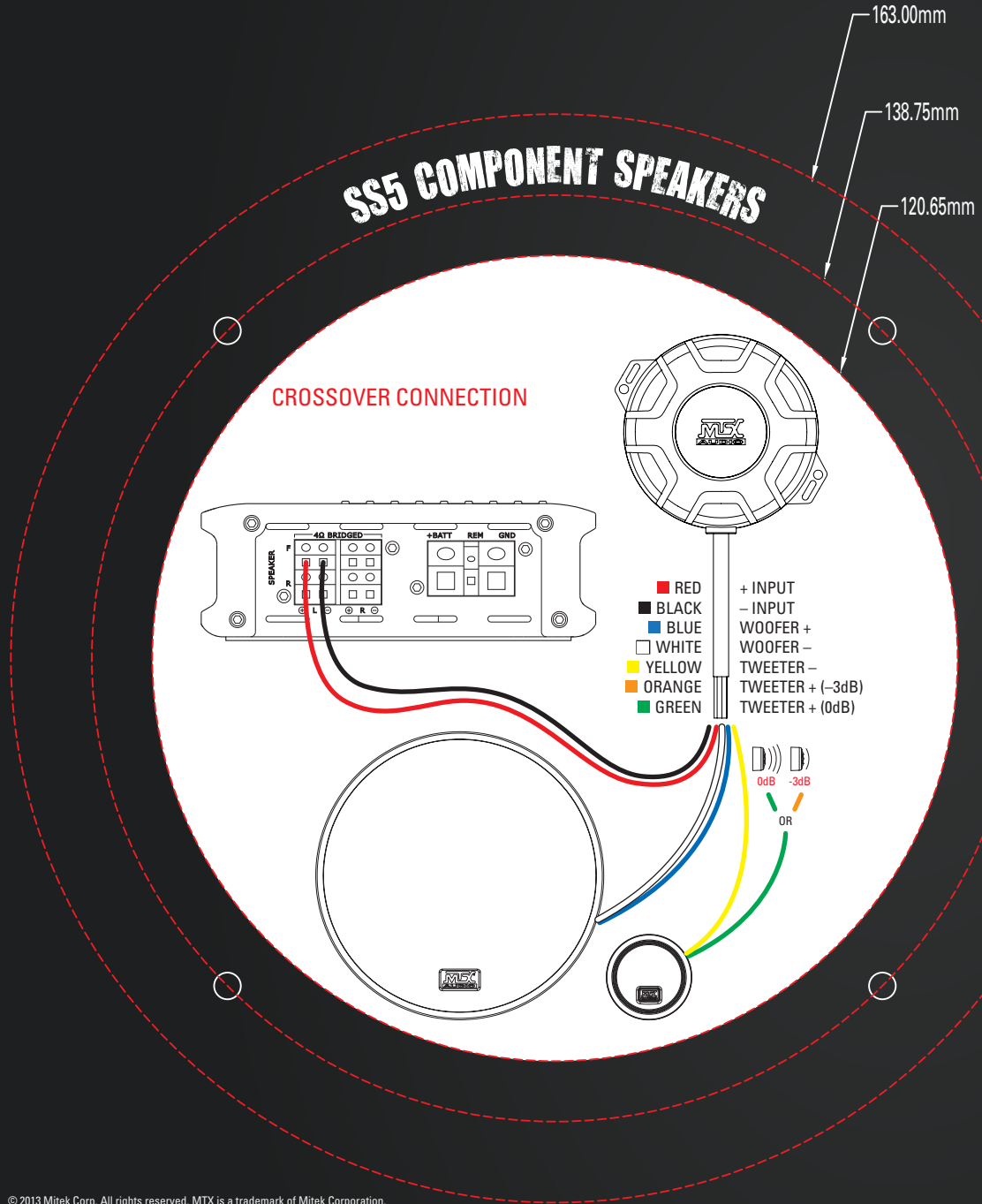
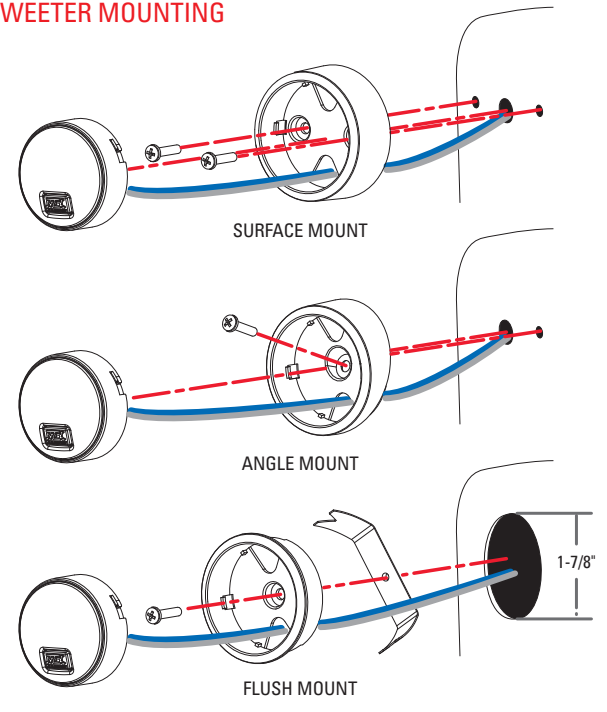


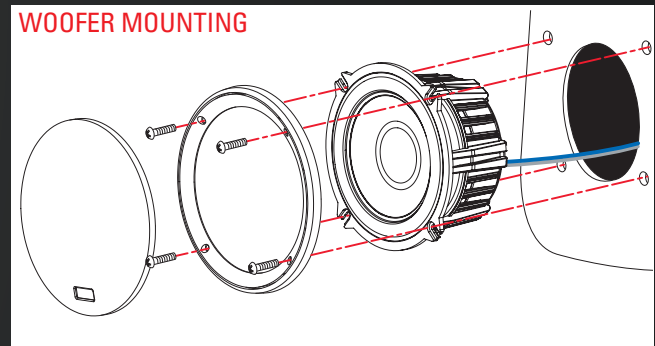
MTX AUDIO Signature Series



TWEETER MOUNTING



WOOFER MOUNTING



MTX RECOMMENDS THAT YOU HAVE YOUR NEW SPEAKERS INSTALLED BY AN AUTHORIZED MTX RETAILER, PREFERABLY MECP CERTIFIED.

52.72mm

50.80mm