



### PARAMETERS

- Fs: 35 Hz
- Qms: 3.82
- Cms: 0.172 mm/N
- Mms: 172 g
- Rms: 10 kg/s
- Vas: 0.894 ft<sup>3</sup> (25.32 liters)
- Xmax: 0.402 in (10.21 mm)
- D: 8.779 in (223 mm)
- Sd: 61.07 in<sup>2</sup> (394 cm<sup>2</sup>)
- Vd: 24.48 in<sup>3</sup> (0.4 liters)
- Qes: 0.76
- Re: 3.12  $\Omega$
- Bl: 12.54 Tm
- Prms: 300 Watts
- Qts: 0.63
- n0: 0.14%
- SPLo: 83.67 dB
- SPL 2.83V/1m: 87.75 dB
- Disp: 0.022 ft<sup>3</sup> (0.62 liters)

### DIMENSIONS

- Total Diameter: 10-3/8" (26.35 cm)
- Cutout Diameter: 9-1/8" (23.18 cm)
- Mounting Depth: 3-3/8" (8.57 cm)

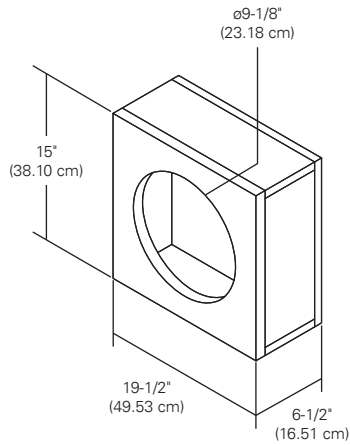
### RECOMMENDED POWER RATING

150 Watts - 300 Watts RMS

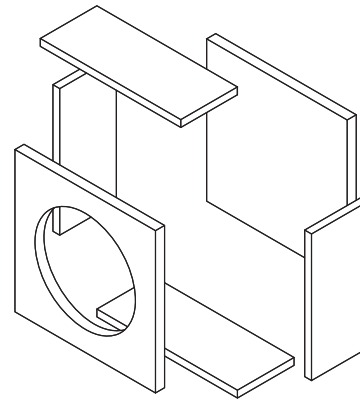
### RECOMMENDED ENCLOSURES

For the best possible sound quality where space is a premium, MTX recommends using a sealed enclosure. All recommended enclosures have been designed and thoroughly tested by MTX.

### SEALED ENCLOSURE



Material Thickness: 3/4" (19mm) MDF



Net Internal Volume: 0.70 ft<sup>3</sup>  
Recommended Box Volume: 0.60 - 0.80 ft<sup>3</sup>