

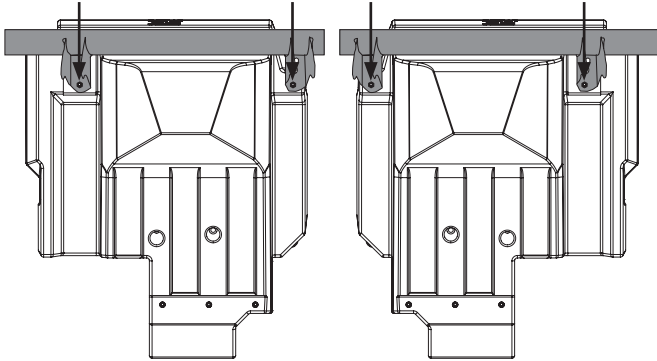


X3-17-SW-D / X3-17-SW-P

**CAN-AM® MAVERICK X3 SUBWOOFER ENCLOSURE  
OWNER'S MANUAL ADDENDUM**

**NOTICE**

When installing your new X3 subwoofer enclosure, you may notice that the front mounting hole locations may not perfectly align with your seat bracket hole locations. During vehicle manufacturing, some variance can occur in the alignment of the seat brackets. This may require the X3 seat bracket hole on the vehicle to be enlarged before installation to ensure proper fitment and mounting.



© 2021 MiTek Corporation. All rights reserved. MTX is a trademark of MiTek Corporation. All other trademarks are property of their respective owners. Designed and Engineered in the U.S.A.  
Due to continual product development, all specifications are subject to change without notice.  
MTX Audio, 4545 East Baseline Rd. Phoenix, AZ 85042 U.S.A. 1-800-225-5689  
MTX006458 RevA 4/21 • AW0015962 • 1-12404

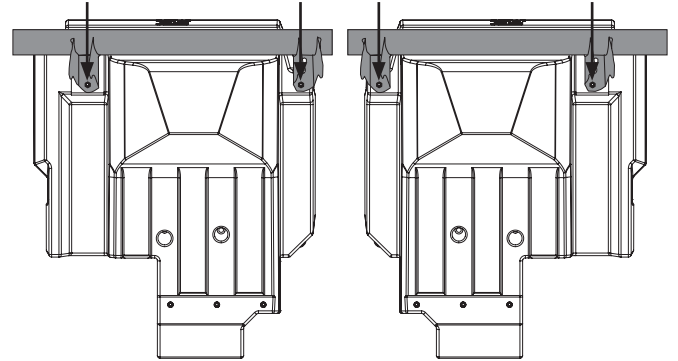


X3-17-SW-D / X3-17-SW-P

**CAN-AM® MAVERICK X3 SUBWOOFER ENCLOSURE  
OWNER'S MANUAL ADDENDUM**

**NOTICE**

When installing your new X3 subwoofer enclosure, you may notice that the front mounting hole locations may not perfectly align with your seat bracket hole locations. During vehicle manufacturing, some variance can occur in the alignment of the seat brackets. This may require the X3 seat bracket hole on the vehicle to be enlarged before installation to ensure proper fitment and mounting.



© 2021 MiTek Corporation. All rights reserved. MTX is a trademark of MiTek Corporation. All other trademarks are property of their respective owners. Designed and Engineered in the U.S.A.  
Due to continual product development, all specifications are subject to change without notice.  
MTX Audio, 4545 East Baseline Rd. Phoenix, AZ 85042 U.S.A. 1-800-225-5689  
MTX006458 RevA 4/21 • AW0015962 • 1-12404

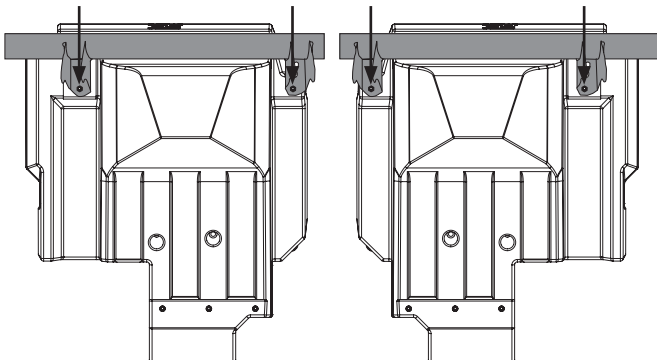


X3-17-SW-D / X3-17-SW-P

**CAN-AM® MAVERICK X3 SUBWOOFER ENCLOSURE  
OWNER'S MANUAL ADDENDUM**

**NOTICE**

When installing your new X3 subwoofer enclosure, you may notice that the front mounting hole locations may not perfectly align with your seat bracket hole locations. During vehicle manufacturing, some variance can occur in the alignment of the seat brackets. This may require the X3 seat bracket hole on the vehicle to be enlarged before installation to ensure proper fitment and mounting.



© 2021 MiTek Corporation. All rights reserved. MTX is a trademark of MiTek Corporation. All other trademarks are property of their respective owners. Designed and Engineered in the U.S.A.  
Due to continual product development, all specifications are subject to change without notice.  
MTX Audio, 4545 East Baseline Rd. Phoenix, AZ 85042 U.S.A. 1-800-225-5689  
MTX006458 RevA 4/21 • AW0015962 • 1-12404

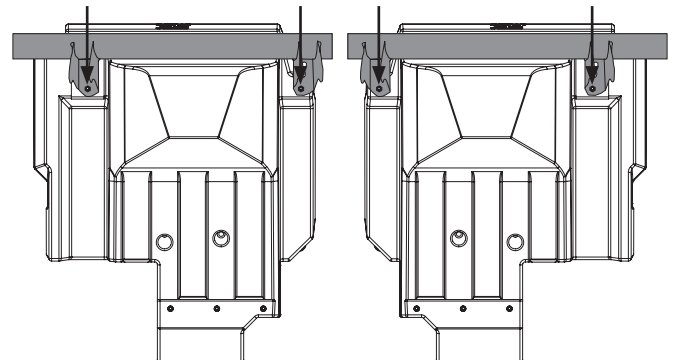


X3-17-SW-D / X3-17-SW-P

**CAN-AM® MAVERICK X3 SUBWOOFER ENCLOSURE  
OWNER'S MANUAL ADDENDUM**

**NOTICE**

When installing your new X3 subwoofer enclosure, you may notice that the front mounting hole locations may not perfectly align with your seat bracket hole locations. During vehicle manufacturing, some variance can occur in the alignment of the seat brackets. This may require the X3 seat bracket hole on the vehicle to be enlarged before installation to ensure proper fitment and mounting.



© 2021 MiTek Corporation. All rights reserved. MTX is a trademark of MiTek Corporation. All other trademarks are property of their respective owners. Designed and Engineered in the U.S.A.  
Due to continual product development, all specifications are subject to change without notice.  
MTX Audio, 4545 East Baseline Rd. Phoenix, AZ 85042 U.S.A. 1-800-225-5689  
MTX006458 RevA 4/21 • AW0015962 • 1-12404