

MTX JACKHAMMER

AUDIO HAMMER

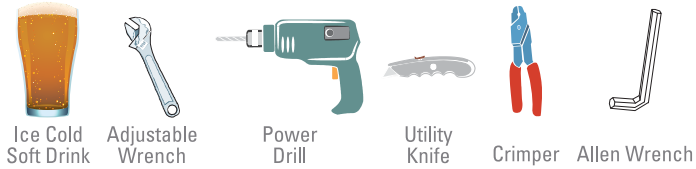
JH202 – 200 WATT 2-CHANNEL, JACKHAMMER AMPLIFIER

MTX WARRANTY STATEMENT

MTX JackHammer amplifiers purchased in the USA from an authorized MTX dealer are guaranteed against defects in material and workmanship for the period of 1 year if installed by an authorized MTX dealer (90 days if by customer). The warranty period begins the day the product is purchased by the end user. This warranty is limited to the original retail purchaser of product. Product found to be defective during that period will be repaired or replaced by MTX at no charge. This warranty is void if it is determined that unauthorized parties have attempted repairs or alterations of any nature. Warranty does not extend to cosmetics or finish. Before presuming a defect is present in the product, be certain that all related equipment and wiring is functioning properly. MTX disclaims any liability for other incurred damages resulting from product defects. Any expenses in the removal and reinstallation of products are not covered by this warranty. MTX's total liability will not exceed the purchase price of the product. If a defect is present, your authorized MTX dealer may be able to effect repairs.

Proof of purchase is required when requesting service, so please retain your sales receipt, and take a moment to register your product online at MTX.com. Also, a Return Authorization number (RA) is required before shipping product back to MTX, call 800-225-5699 or 602-438-4545, for amplifier RAs.

REQUIRED INSTALLATION TOOLS



SETTINGS

AMPLIFIER CROSSOVER SELECT SWITCH SETTINGS

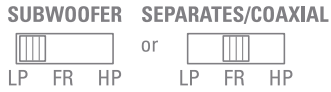
SMART ENGAGE



Aftermarket Head Unit
(Remote turn-on wire connected)



Factory Head Unit
(Remote turn-on wire not connected)



SEPARATES/COAXIAL WHEN USED IN ADDITION TO SUB AMPLIFIER



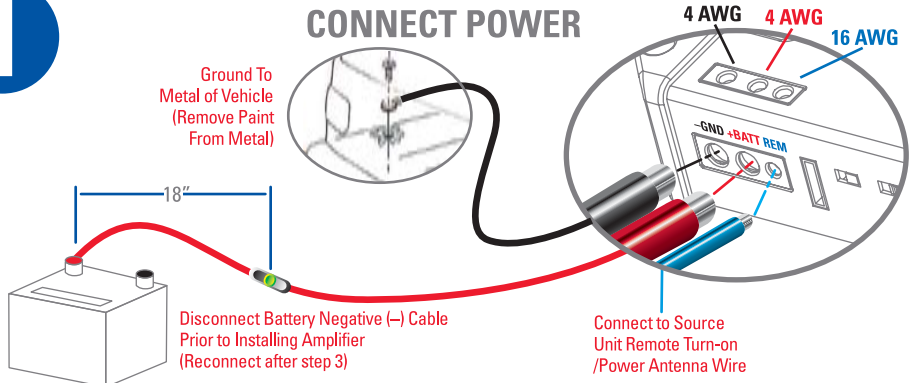
GAIN



Adjust input sensitivity to match source unit

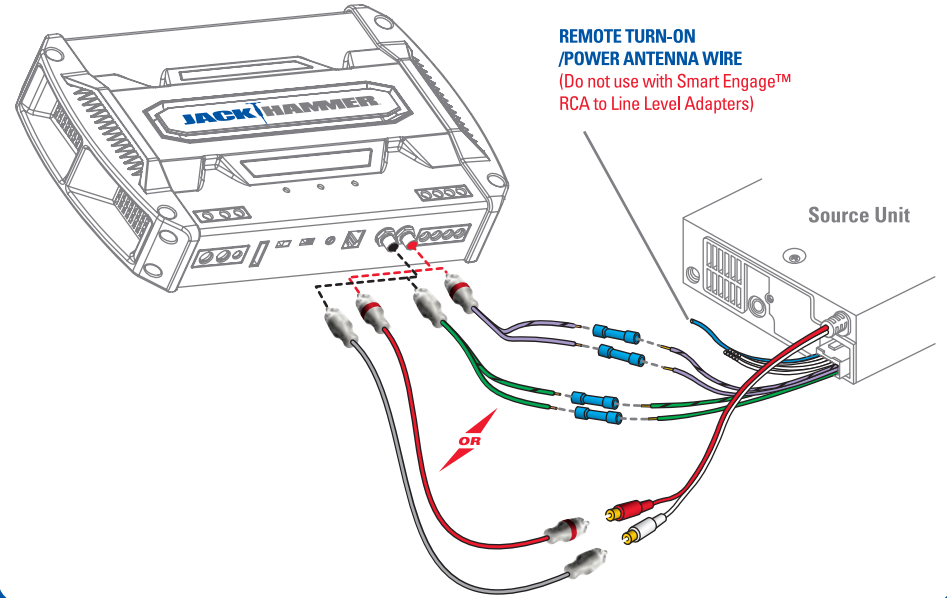
1

CONNECT POWER



2

CONNECT SIGNAL



3

CONNECT SPEAKER(S) OR SUB(S)

