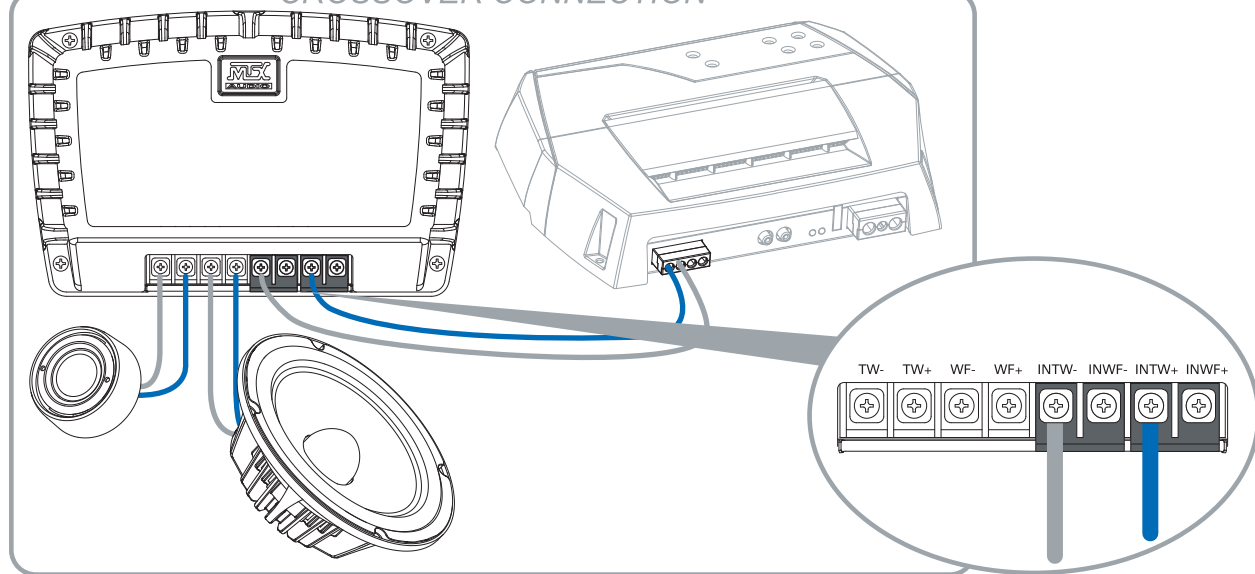
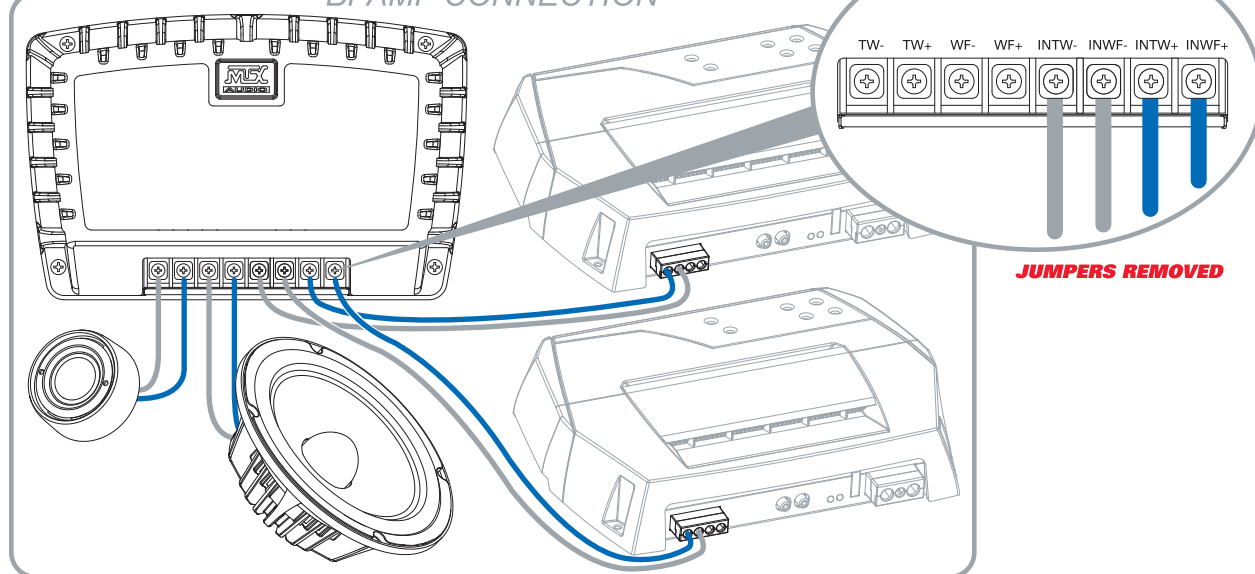


MTX THUNDER AXE HIGH-END COMPONENTS

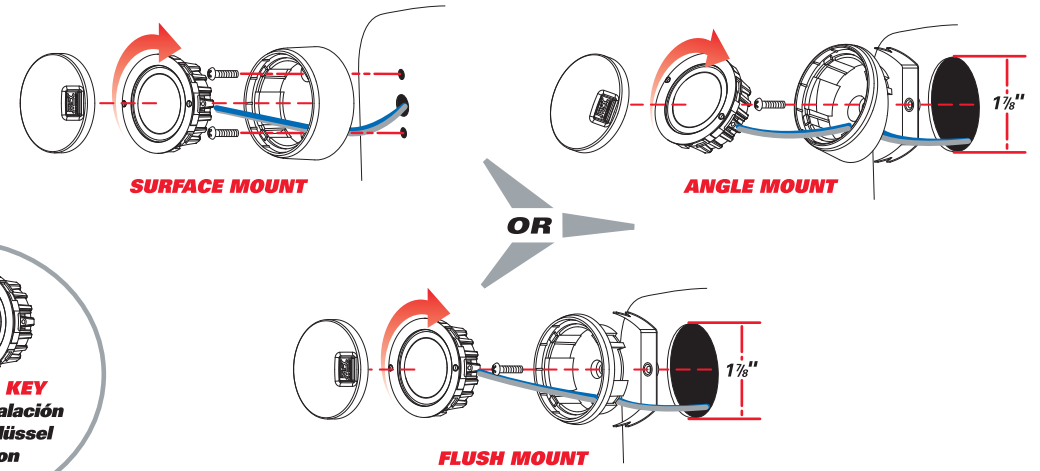
CROSSOVER CONNECTION



BI-AMP CONNECTION

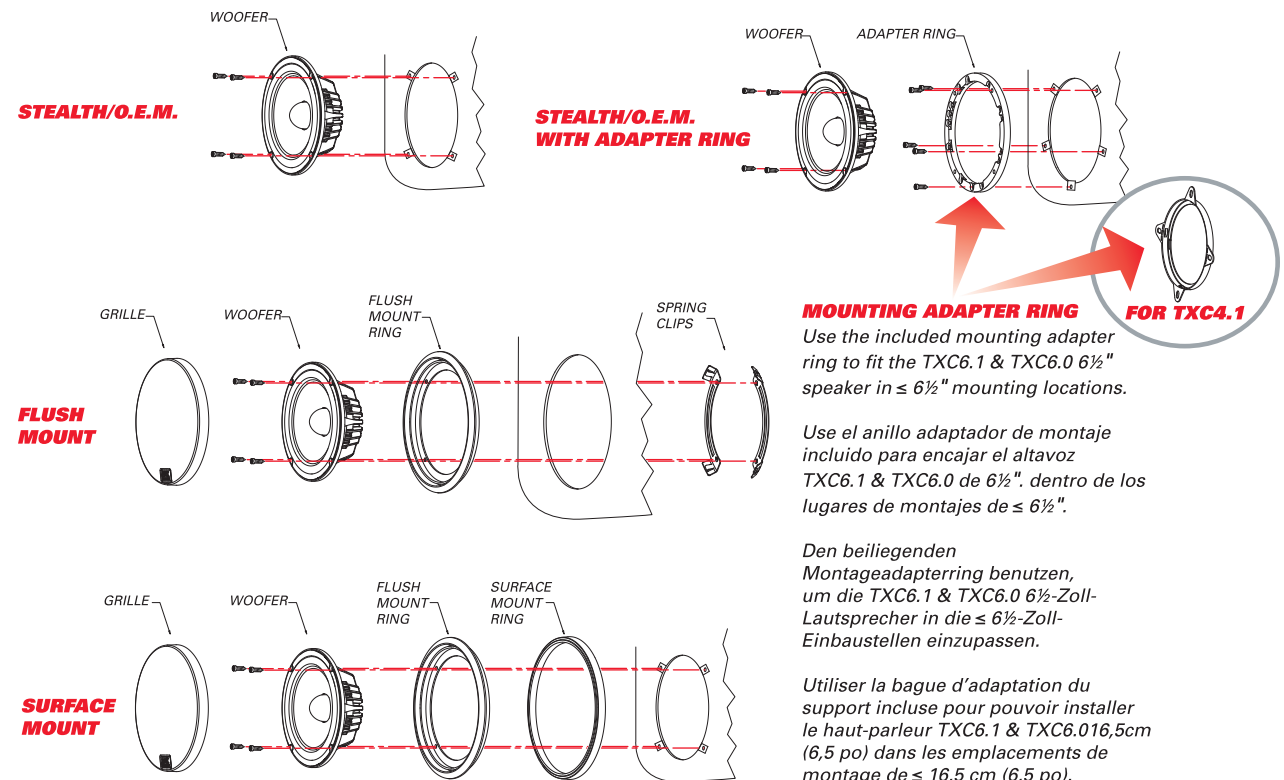


TWEETER MOUNTING



INSTALLATION KEY
 Llave De la Instalación
 Installation Schlüssel
 Clef D'Installation

WOOFER MOUNTING



MOUNTING ADAPTER RING FOR TXC4.1
 Use the included mounting adapter ring to fit the TXC6.1 & TXC6.0 6 1/2" speaker in ≤ 6 1/2" mounting locations.

Use el anillo adaptador de montaje incluido para encajar el altavoz TXC6.1 & TXC6.0 de 6 1/2". dentro de los lugares de montajes de ≤ 6 1/2".

Den beiliegenden Montageadapterring benutzen, um die TXC6.1 & TXC6.0 6 1/2-Zoll-Lautsprecher in die ≤ 6 1/2-Zoll-Einbaustellen einzupassen.

Utiliser la bague d'adaptation du support incluse pour pouvoir installer le haut-parleur TXC6.1 & TXC6.0 16,5cm (6,5 po) dans les emplacements de montage de ≤ 16,5 cm (6,5 po).

MTX
 BIGGEST
 BOLDEST
 SOUND

MTX RECOMMENDS THAT YOU HAVE YOUR NEW SPEAKERS INSTALLED BY AN AUTHORIZED MTX RETAILER, PREFERABLY MECP CERTIFIED. IF YOU DECIDE TO DO IT YOURSELF, FOLLOW THE DETAILED INSTRUCTIONS ON WWW.MTX.COM/TXCINSTALLATION

MTX
 AUDIO