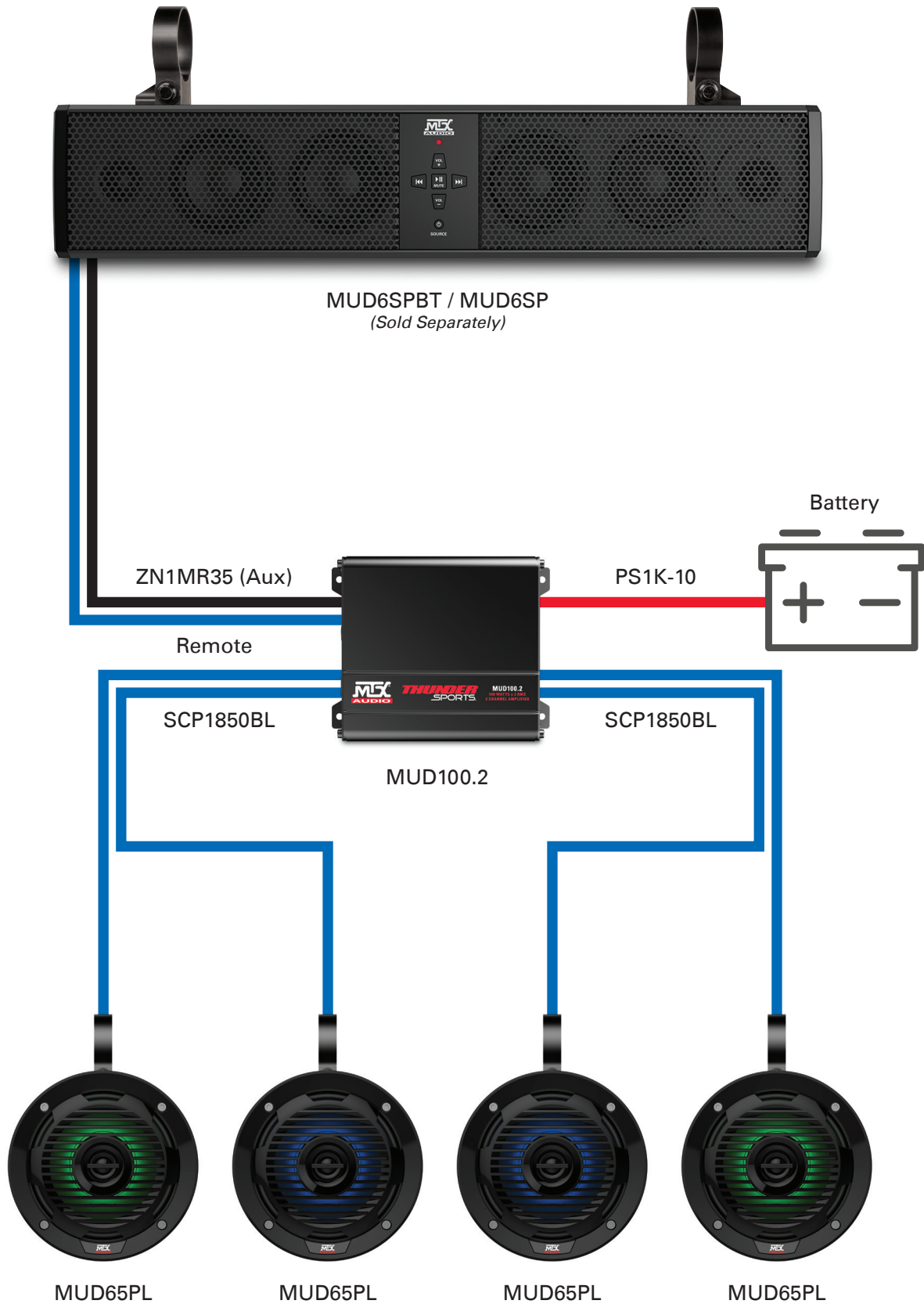


UNI-2-AUX WIRING DIAGRAM



©2023 MTX Corporation. All rights reserved. MTX is a trademark of MTX Corporation. All other Trademarks are property of their respective owners. No endorsement is implied. Due to continual product development, specifications are subject to change without notice. MTX007297 Rev/A 2/23