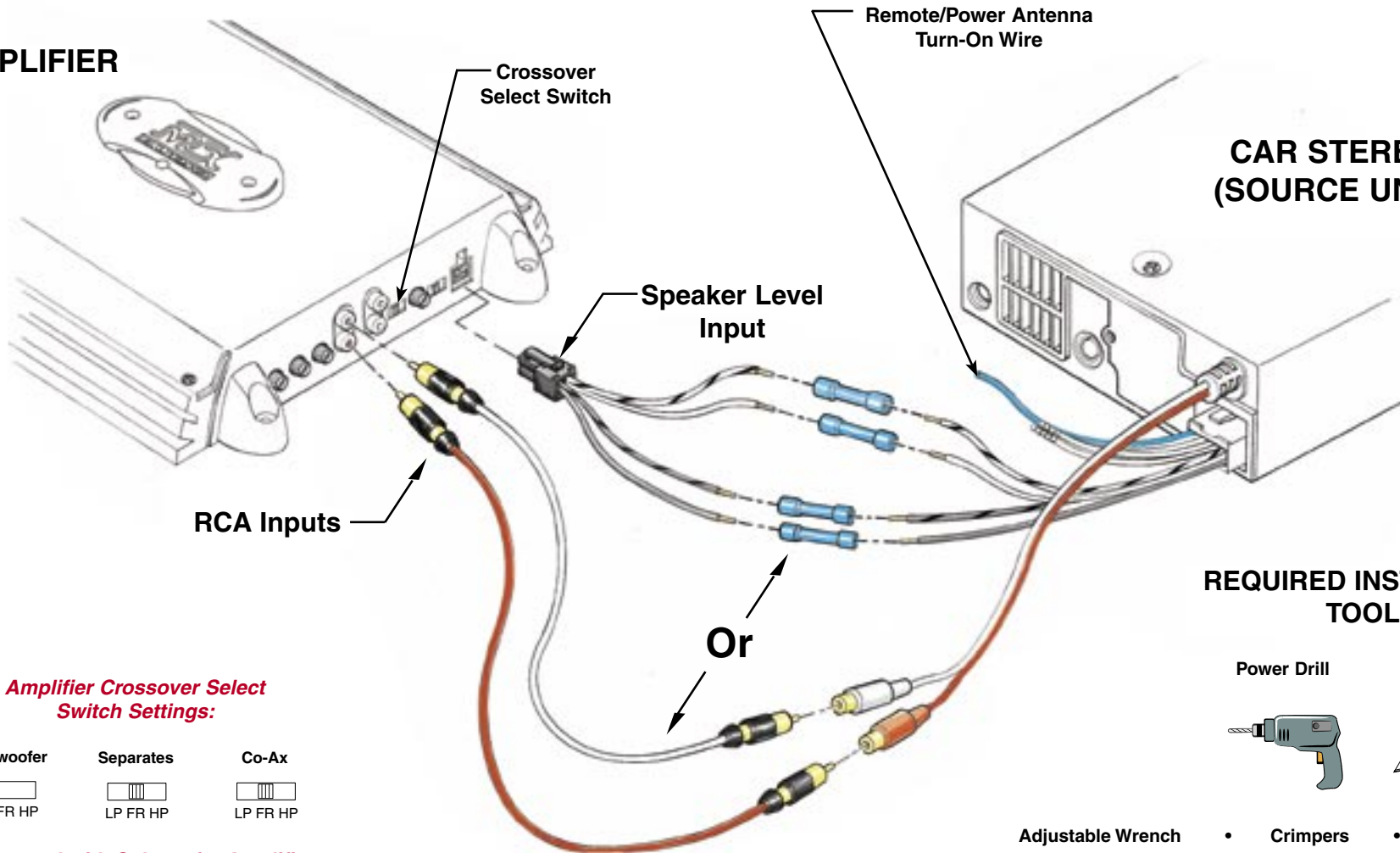




THUNDER 342 Amplifier Input Connections

AMPLIFIER

CAR STEREO
(SOURCE UNIT)



Amplifier Crossover Select Switch Settings:

Subwoofer

Separates

Co-Ax



When used with Subwoofer Amplifier:

Separates

Co-Ax



REQUIRED INSTALLATION TOOLS:

Power Drill

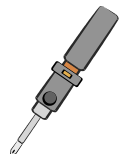
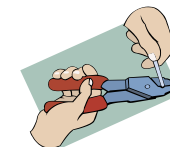
Utility Knife



Adjustable Wrench

• Crimpers

• Screw Driver



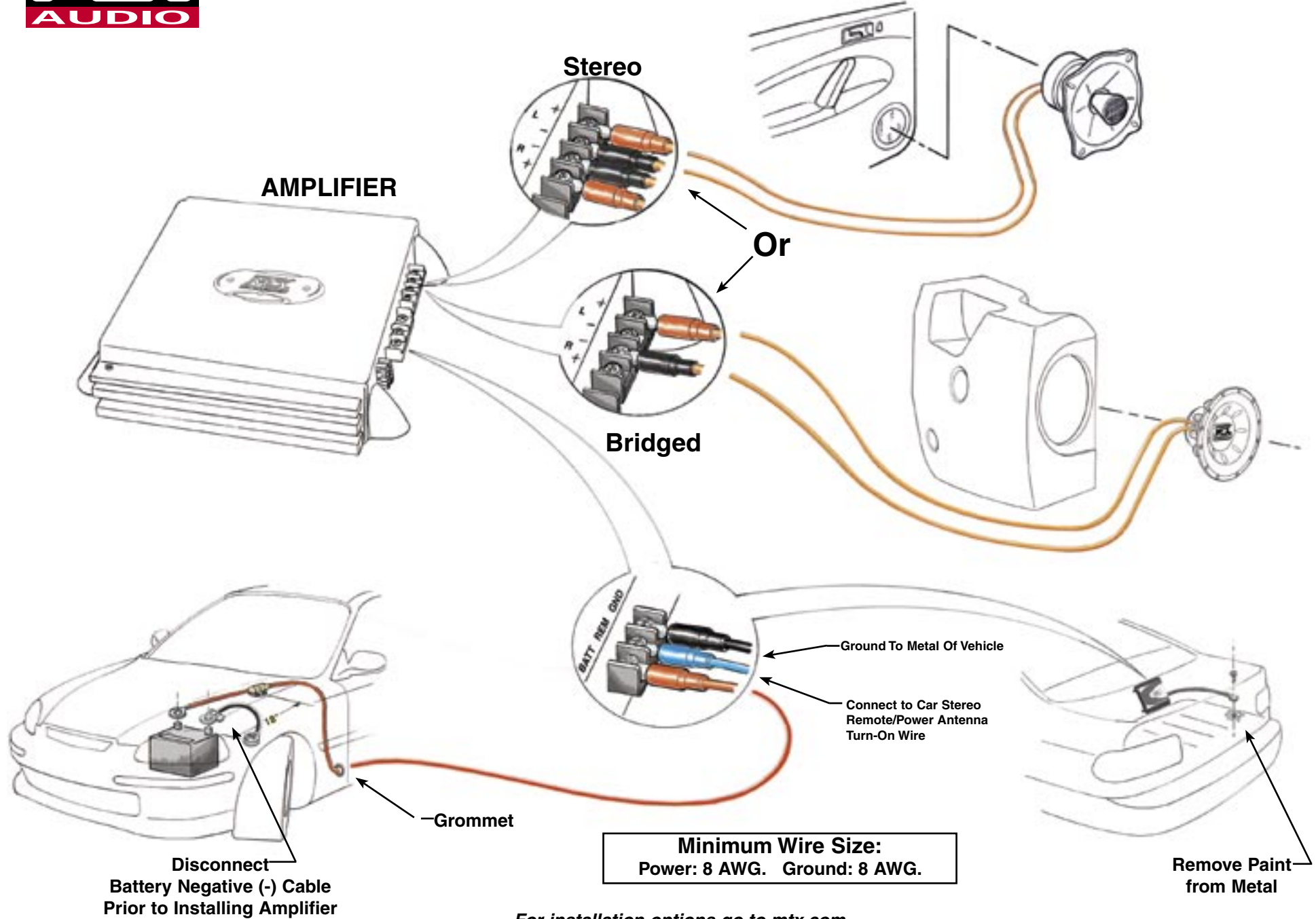
For installation options go to mtx.com

Part #: NDM241



THUNDER 342

Amplifier Output Connections



Disconnect
Battery Negative (-) Cable
Prior to Installing Amplifier

Minimum Wire Size:
Power: 8 AWG. Ground: 8 AWG.

For installation options go to mtx.com

Remove Paint
from Metal