



MARINE COAXIAL SPEAKERS



MA65C-B / MA65C-W

INTRODUCTION

Congratulations on the purchase of your new MTX gear. For over 50 years MTX remains an American family-owned manufacturer full of passionate enthusiasts just like you. Thank you for counting on us to help you “Amplify The Ride”!

For best performance and longevity of your audio gear, we recommend you have your new MTX product installed by an Authorized MTX Dealer. Their installation knowledge and expertise will ensure you get the most out of your new equipment while safeguarding against potential issues. Also, please read your product warranty carefully and retain your receipt and original carton for possible future use.

We’re here to help with any installation or technical support. Visit www.mtx.com to chat, call 1-800-225-5689 to speak with an MTX Technical Support representative, or visit www.youtube.com/user/MTXAudioUSA to view product videos.

Don’t forget to register your new MTX product. Visit www.mtx.com/productregistration or scan the QR code below.

Model # _____

Serial # _____

Dealer’s Name _____

Date of Purchase _____



TABLE OF CONTENTS

2. Introduction / Safety
3. Features / Ratings / Package Contents
4. Installation
5. Wiring
6. Specifications / Diagrams
7. Warranty

SAFETY

- Please read and follow these instructions to prevent injury and damage to the unit.
- If you are unsure about installing the system by yourself, please have it installed by a qualified MTX technician.
- Whenever working on the vehicle, it is recommended to disconnect the battery prior to starting work. Failure to do so may lead to a risk of electric shock or equipment damage.

When connecting power and ground wires ensure that the red power wire is fused at the point where it is connected to the vehicle’s battery. Failure to do so can result in damage to the vehicle if a short circuit develops between the vehicle connection point and the product.

⚠ WARNING: This symbol with “WARNING” is intended to alert the user to the presence of important operating and maintenance (servicing) instructions in the literature accompanying the product.

⚠ CAUTION: This symbol with “CAUTION” is intended to alert the user to the presence of important operating and maintenance (servicing) instructions in the literature accompanying the product.

FEATURES

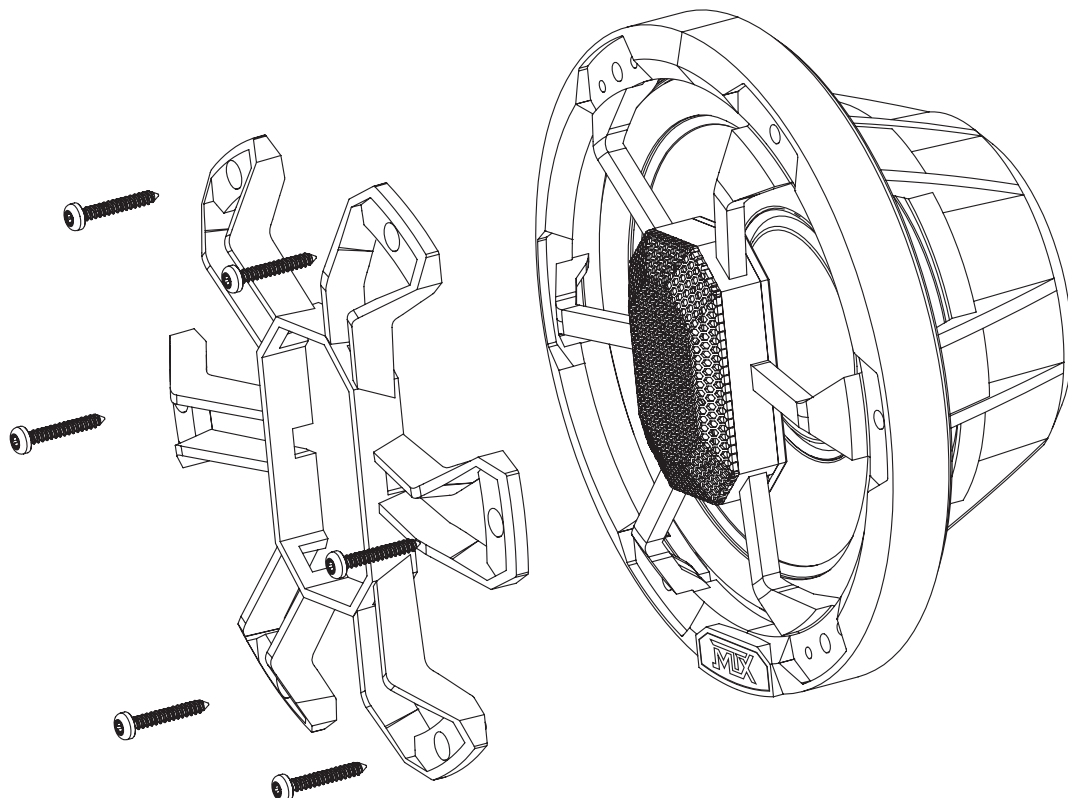
- Integrated RGB LED Lighting
- ASA Impact Resistant Grille
- Polypropylene Woofer and Dual Teteron Dome Tweeters
- Paintable Speaker Grille Overlay
- Quick Disconnect Speaker and RGB Terminals

RATINGS

- ASTM G154 UV Testing - 500 Hours
- ISO 16750-4 Salt Spray Testing - 500 Hours (*front side only*)
- IP67 Rated (*front side only*)
- CEA-2031 Compliant

PACKAGE CONTENTS

- (1) Pair Speakers
- (12) Stainless Steel Mounting screws
- (2) 0.25" Female Spade Connectors
- (2) 0.187" Female Spade Connectors
- (8) 0.110" Female Spade Connectors



INSTALLATION

1. Determine the mounting location for the MA65C speakers, ensuring there is adequate room for the speaker to sit flat on the mounting surface. Confirm that there is adequate clearance for the speaker basket in the intended mounting location, and there are no obstructions that will interfere with the back of the speaker or wiring when installed.
2. The MA65C requires a 5-3/8" diameter mounting hole. Mark the mounting hole in the intended mounting location, then double check for adequate clearance before cutting. Test fit the speaker and trim the mounting hole as needed.
3. Using the speaker as a template, mark the locations for the (6) mounting screws. Double check for adequate clearance, then drill 1/8" mounting holes.
4. Route the speaker and (optional) RGB wires through the mounting hole and connect to the terminals on the rear of the speaker using the included female spade connectors. The positive (+) speaker terminal requires the 0.25" (large) connector, the negative (-) speaker terminal requires the 0.187" (medium) connector, and the RGB terminals require the 0.110" (small) connectors. Observe proper speaker and RGB wiring polarity using the markings on the speaker basket next to each terminal.

Note: See Page 5 for wiring diagram & RGB color wiring options chart.

5. Install speaker into the mounting location making sure that the wiring is routed away from the mounting holes for the screws. Align the speaker with the mounting holes, then insert and partially tighten the (6) included mounting screws.
6. Once all mounting screws have been started, tighten until the speaker is snug in place and the foam gasket on the back of the speaker basket sits flat against the mounting surface. Do not over tighten the screws.

Customize the Look

If you wish to customize the look of your speakers, the silver grille overlay can be removed and painted to match the vehicle color scheme. Remove the grille overlay from the speaker assembly before painting as shown in Figure 1 below.

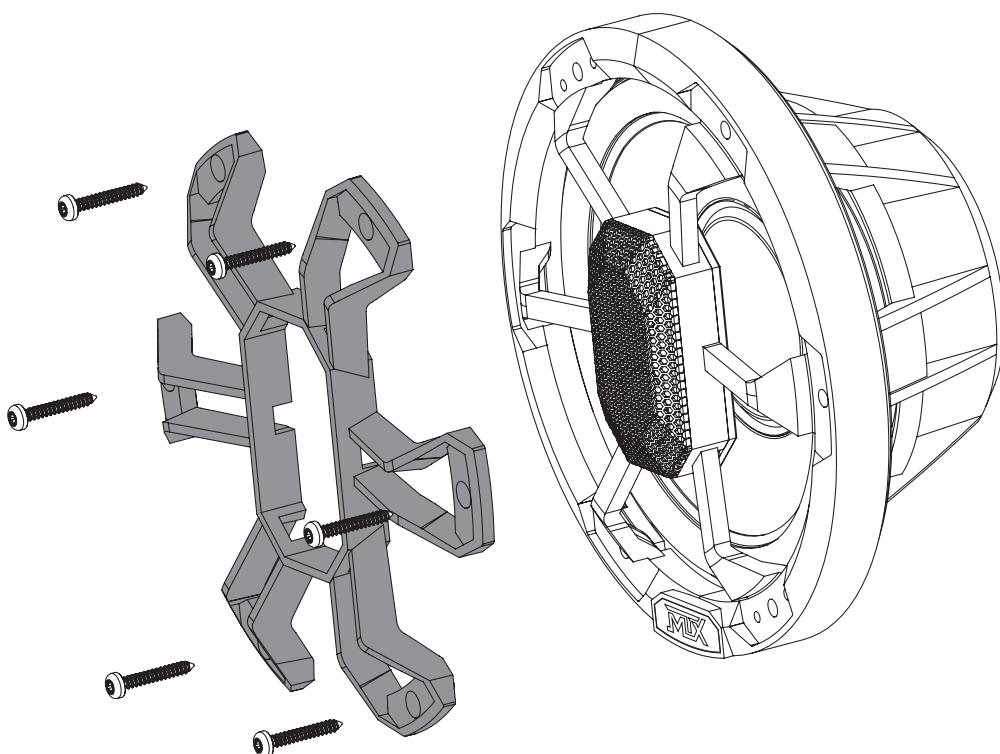


Figure 1

WIRING

1. Connect the speaker wires to your amplifier ensuring correct polarity, positive (+) and negative (-).
2. The MA65C includes RGB speaker illumination. When hard-wiring the RGB lighting, the Black lead is +12V and the Red, Green, and Blue leads are ground. There are seven colors available, depending on the wiring configuration. MTX recommends using the **MUDLEDC** remote control (*sold separately*) for more colors, patterns and special effects.

Color Wiring Options	
Grounded Wire(s)	LED Color Output
Red	Red
Green	Green
Blue	Blue
Red / Green	Lime Green
Red / Blue	Magenta
Green / Blue	Aquamarine
Red / Green / Blue	Blue-White

Connect the colored wires on the left to make output colors on the right.

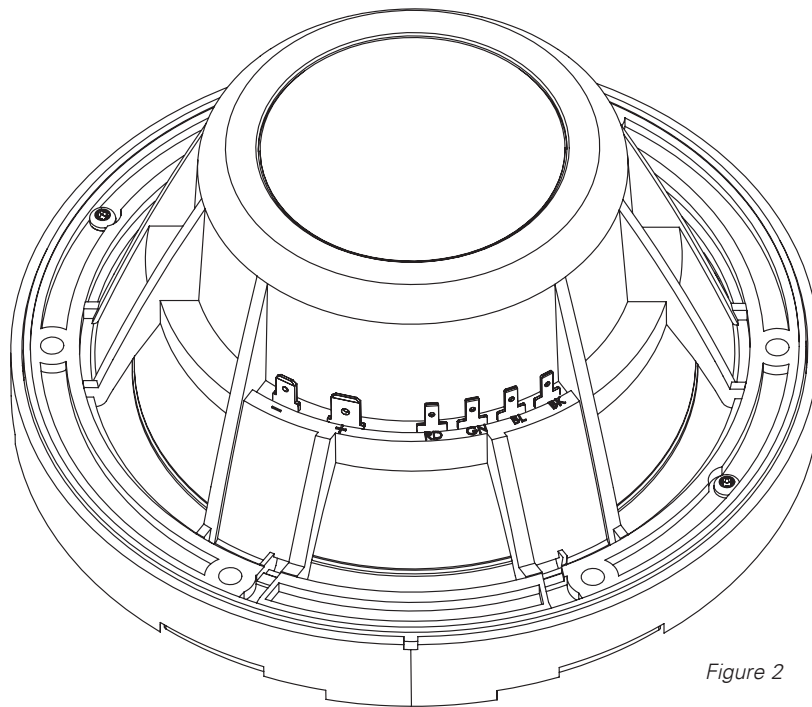


Figure 2

MTX RECOMMENDS



The MUDLEDC is a remote control and wiring control harness that is designed to work with a variety of RGB LED enabled MTX products.

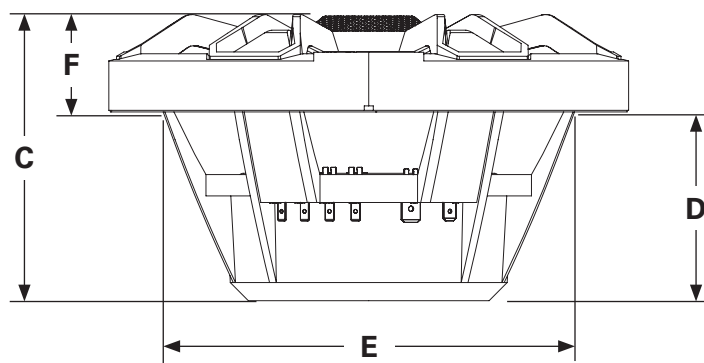
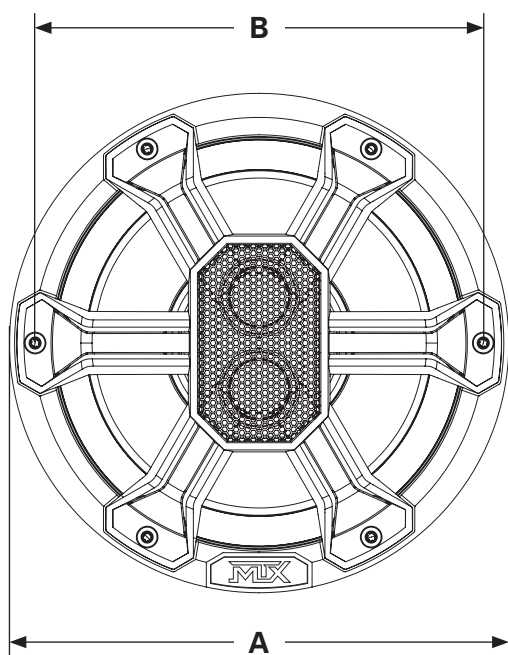


SPECIFICATIONS

<i>Model</i>	<i>Nominal Size</i>	<i>Speaker Type</i>	<i>Power Handling (RMS)</i>	<i>Power Handling (Peak)</i>	<i>Sensitivity (2.83V/1m)</i>	<i>Frequency Response</i>	<i>Impedance</i>
MA65C-B MA65C-W	6 1/2" (165mm)	Coaxial	85 Watts	170 Watts	90dB	68Hz - 20kHz	4Ω

DIAGRAMS

<i>Model</i>	<i>Overall Diameter (A)</i>	<i>Screw Mounting Diameter (B)</i>	<i>Overall Height (C)</i>	<i>Mounting Depth (D)</i>	<i>Cut-out Diameter (E)</i>	<i>Grille Height (F)</i>
MA65C-B MA65C-W	6 13/16" (173mm)	6 3/16" (156mm)	3 3/4" (95mm)	2 1/2" (62mm)	5 3/8" (136mm)	1 1/4" (32mm)



MITEK WARRANTY

MiTek Mobile products (including, but not limited to: MTX, Coustic, Streetwires, Xtant, BassSlammer, and Thunder Marine) purchased in the USA from an AUTHORIZED MITEK DEALER are guaranteed against defects in material and workmanship for two years. The warranty period begins the day the product is purchased by the end user, and this warranty is limited to the original retail purchaser of product. Products found to be defective during the warranty period will be repaired or replaced with equivalent product by MiTek at no charge. This warranty is void if it is determined that unauthorized parties have attempted repairs or alterations of any nature, and the warranty does not extend to cosmetics or finish. MiTek disclaims any liability for other incurred or consequential damages resulting from product defects. MiTek's total liability will not exceed the purchase price of the product.

We're here to help! If you experience an issue with any of our products, please contact our customer service technical line at 1-800-CALL-MTX to help troubleshoot your issue. If after speaking with our technical experts it is determined that your product is defective, the technician will provide you with a Return Authorization number and all relevant details you'll need to process your claim quickly.

Let's Get Social

mtx.com



Like, Follow, & Subscribe